

Data Sheet

BI T3102A

Low Cost PWM CCFL Controller

Version:A0

BiTEK Confidential

Please read the notice stated in this preamble carefully before accessing any contents of the document attached.

Admission of BiTEK's statement therein is presumed once the document is released to the receiver.

碩 頤 科 技 **BiTEK**
 管 May 16, 2007 制
DCC CONTROLLED

www.DataSheet4U.com

Notice:

Firstly, the information furnished by Beyond Innovation Technology Co. Ltd. (BiTEK) in this document is believed to be accurate and reliable and subject to BiTEK's amendment without prior notice. And the aforesaid information does not form any part or parts of any quotation or contract between BiTEK and the information receiver.

Further, no responsibility is assumed for the usage of the aforesaid information. BiTEK makes no representation that the interconnect of its circuits as described herein will not infringe on exiting or future patent rights, nor do the descriptions contained herein imply the granting of licenses to make, use or sell equipment constructed in accordance therewith.

Besides, the product in this document is not designed for use in life support appliances, devices, or systems where malfunction of this product can reasonably be expected to result in personal injury. BiTEK customers' using or selling this product for use in such applications shall do so at their own risk and agree to fully indemnify BiTEK for any damage resulting from such improper use or sale.

At last, the information furnished in this document is the property of BiTEK and shall be treated as highly confidentiality; any kind of distribution, disclosure, copying, transformation or use of whole or parts of this document without duly authorization from BiTEK by prior written consent is strictly prohibited. The receiver shall fully compensate BiTEK without any reservation for any losses thereof due to its violation of BiTEK's confidential request. The receiver is deemed to agree on BiTEK's confidential request therein suppose that said receiver receives this document without making any expressly opposition. In the condition that aforesaid opposition is made, the receiver shall return this document to BiTEK immediately without any delay. -Version A4

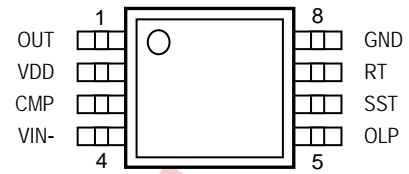
BiTEK Confidential



Features:

- PWM Modulation
- Open Lamp Protection
- Internal UVLO (Under Voltage Lock Out) function
- Dimming Control
- CMOS Totem Pole output
- NMOS output driving
- SOP /DIP Packing

Pin Layout:



Applications:

- Cold Cathode Fluorescent Lamps system
- Notebook PC
- LCD Monitor
- Palm-top Computers
- Video Phone/ Door Phone
- Portable Instrumentation
- Personal Digital Assistants
- Airline Entertainment Centers
- Automotive Display
- ATM/ Financial Terminal
- POS Terminal
- Navigation Devices (GPS Equipment)
- Test Equipment
- Copiers and Office Equipment
- Medical Equipment

General Description:

To aim at the Cold Cathode Fluorescent Lamp (CCFL) applications, the BIT3102A integrated all functions required in a single 8 pin chip. The chip provides a fully functioned PWM control circuit with a true lamp current feedback protection. By setting the required time for striking the lamp through SST, the open-lamp condition can be detected after lamp striking period. The lamp dimming can be done through a PWM feedback loop. CMOS process reduces the operating current (1mA typical) and NMOS output driving capability enhances the system efficiency.

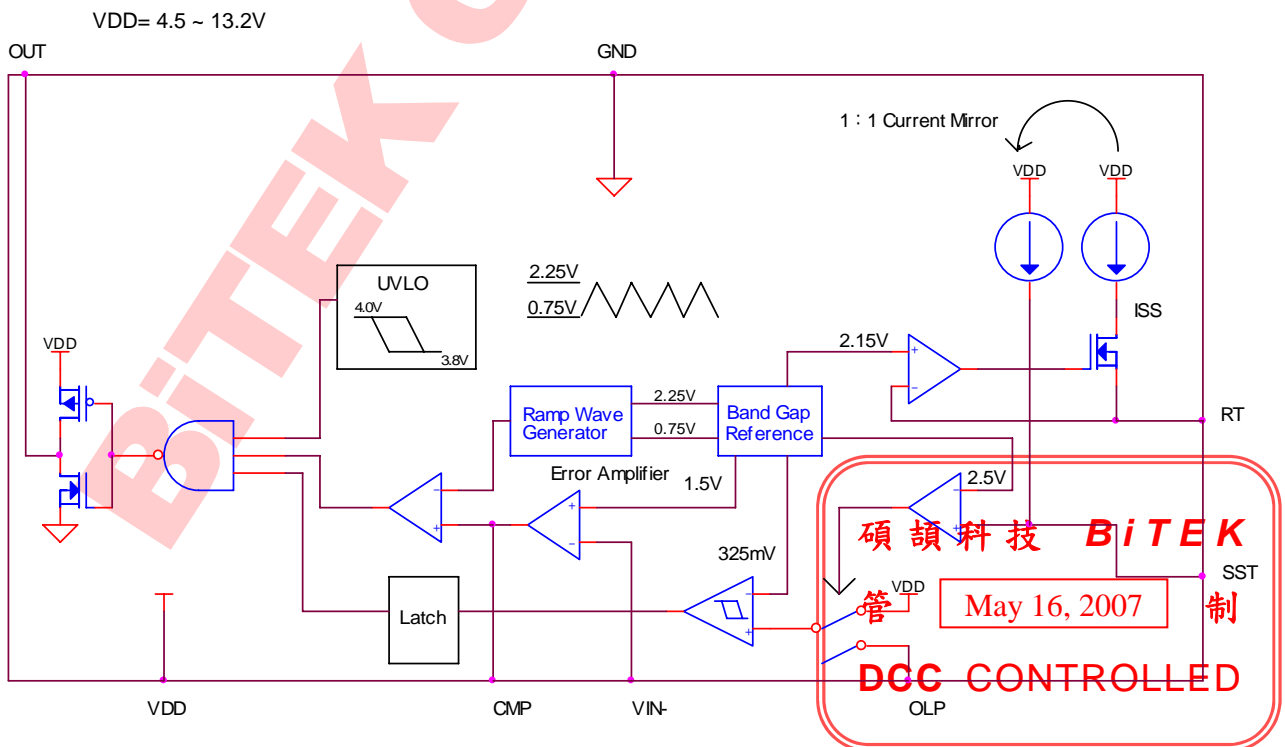
Absolute Ratings: (if Ta=25°C)

VDD	-0.3 ~ +9.0 V
GND	±0.3 V
Input Voltage	-0.3 ~ VDD+0.3 V
Operating Ambient Temperature	0 ~ +70 °C
Operating Junction Temperature	+150 °C
Storage Temperature	-55~+150 °C

Recommended Operating Condition:

Supply Voltage	4.5 ~ 8.5 V
Operating Frequency	50K ~ 250K Hz
Operating Ambient Temperature	0 ~ 70 °C

Functional Block Diagram:



Function Description:

www.DataSheet4U.com

UVLO: The Under-Voltage-Lock-Out circuit turns the output driver off when supplying voltage drops to a specified low level.

Band Gap Reference: This circuit provides a accuracy voltage reference which is very stable even though the operating temperature is variable. Base on this reference, a specified voltage can be generated which is used by another circuit.

Ramp Wave Generator: This circuit generates a typical 140KHz ramp wave. (as $R_T = 100\text{ K}\Omega$) The relation between frequency and resistor R_T is as the equation below:

$$\text{Freq. (KHz)} = 14000/R_T(\text{K}\Omega)$$

PWM Controller: The pulse width modulation control circuit includes a ramp wave generator, an error amplifier and a comparator. These devices provide the required active components for the PWM feedback control application.

The Power On Initialization and Open Lamp Protection

Protection: The current source I_{SS} charges the external resistor and capacitor during power on process. The voltage drops on the SST pin will be increased as

$$V_{SST} = I_{SS}R_{SS} (1 - e^{-t/R_{SS}C_{SS}}); \text{ (Fig.a)}$$

Where $I_{SS} = V_{RT}/R_T \pm 15\%$, and $V_{RT} = 2.15\text{V}$

The output is disabled to "low" level and open lamp protection is disable while $SST < 0.325\text{V}$. A ~ 180uA current is flow into INN to set the initial state. The PWM controller is enable while $2.5\text{V} < SST < 0.325\text{V}$.

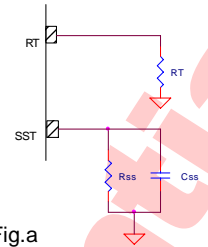


Fig.a

The open lamp protection circuit will be enable when $V_{SST} > 2.5\text{V}$ (Fig.b) The required time for striking the lamp could be calculated as bellow:

$$T_{\text{STRIKE}} = (R_{SS}C_{SS})$$

$$\ln((I_{SS}R_{SS} - 0.325)/(I_{SS}R_{SS} - 2.5))$$

T_{STRIKE} is decided by the characteristic of lamp.

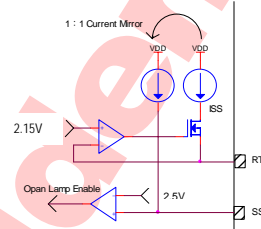


Fig.b

Table 1. Power On Initialization and Open Lamp Protection

	OUT	OLP	VIN-
$SST < 0.325\text{V}$	Disable to "Low"	Disable	Internally Forced to "High"
$2.5\text{V} < SST < 0.325\text{V}$	Enable	Disable	Externally Controlled
$SST > 2.5\text{V}$	Enable	Enable	Externally Controlled

Pin Description:

Pin No.	Names	Description
1	OUT	PWM output, logic high active for driving NMOS device.
2	VDD	Supply voltage.
3	CMP	PWM controller input, the output of error amplifier.
4	Vin-	PWM controller input, the inverting input of error amplifier.
5	OLP	A voltage sense input pin. If voltage level is less than 325 mV after a user defined period of time, the chip will shut down the OUT and PWM circuits. A digital latch circuit latches this result. The latch condition will be released if the power be turned off.
6	SST	The timer for open lamp protection.
7	RT	Operation frequency control.
8	GND	Ground

DC/AC Characteristics:

Parameter	Test Conditions	Min.	Typ.(Limits)	Max.	Unit
Reference Voltage					
Output voltage	Measure Vin- VDD=6.0V, Ta=25°C	1.455	1.5	1.545	V
Line regulation	VDD=4.5 ~ 8.5 V		2	20	mV

碩 頡 科 技 **BiTEK**

DCC CONTROLLED

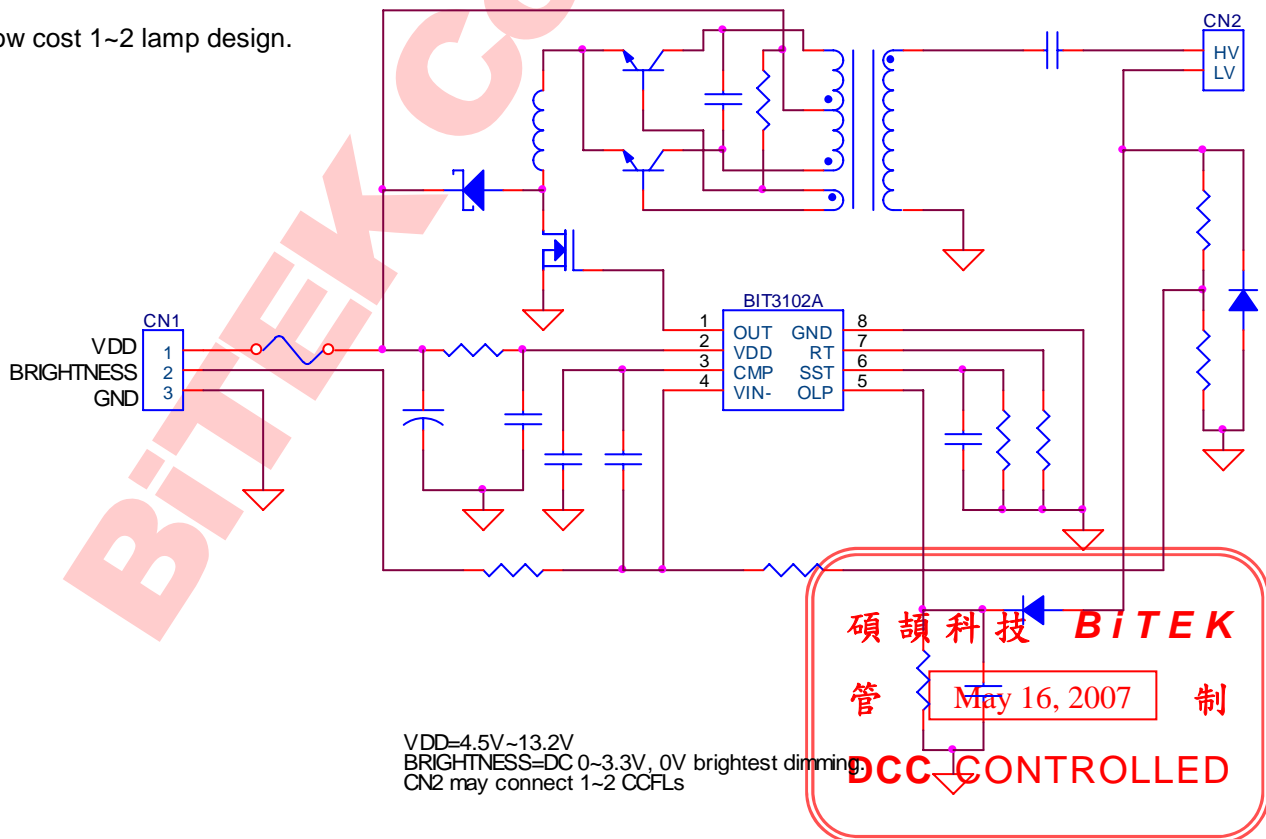
Under Voltage Lock Out					
Upper threshold voltage	Ta=25°C	3.8	4	4.2	V
Hysteresis		0.1	0.2	0.3	V
Ramp Wave Generator					
Frequency	R _T =100K Ω	120	140	160	KHz
Operating Frequency	note 1	50		250	KHz
Output peak			2.25		V
Output valley			0.75		V
Error Amplifier					
Input voltage	note 1	0.75		2.25	V
Open loop gain		60	80		dB
Unit gain band width		1	1.5		MHz
Open Lamp Enable					
Output current	VDD=6.0V, Ta=25°C		2.15V/R _T		uA
Open lamp detection enable			2.5		V
Open Lamp Protection					
Open lamp detection lower threshold	VDD=6.0V, Ta=25°C		325		mV
Hysteresis			50		mV
Output					
CMOS output impedance	note 1		50		Ω
Rising Time	1000pF load,		110		ns
Falling Time	note 1		100		ns

Ta : ambient temperature.

Note 1: It is guaranteed by design not 100% tested.

Application Circuit:

A low cost 1~2 lamp design.



VDD=4.5V~13.2V
 BRIGHTNESS=DC 0~3.3V, 0V brightest dimming
 CN2 may connect 1~2 CCFLs

Layout Notice:

www.DataSheet4U.com

Note 1. Please keep the capacitor between VDD and GND as close as possible. Noisy IC VDD may trigger UVLO or causes EOS (Electrical Over Stress). Fig. D is an example of making shortest traces between VDD and GND. The layout traces are under the IC.

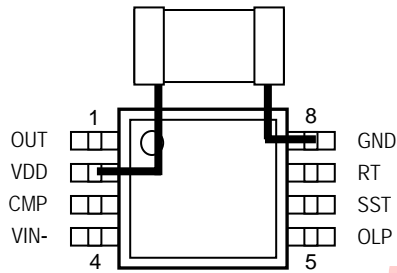
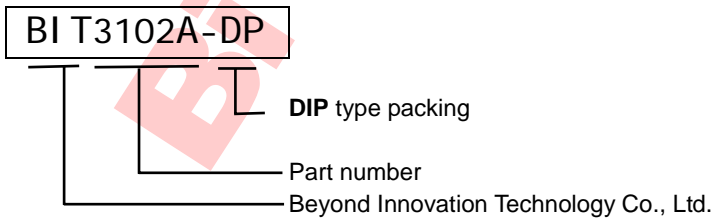
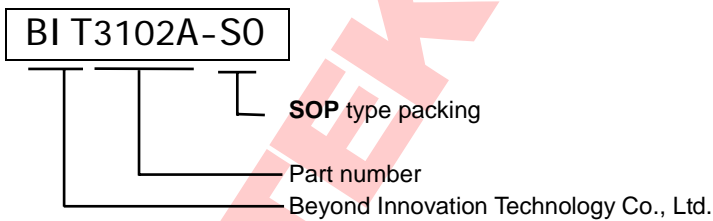


Fig. D

Order Information:

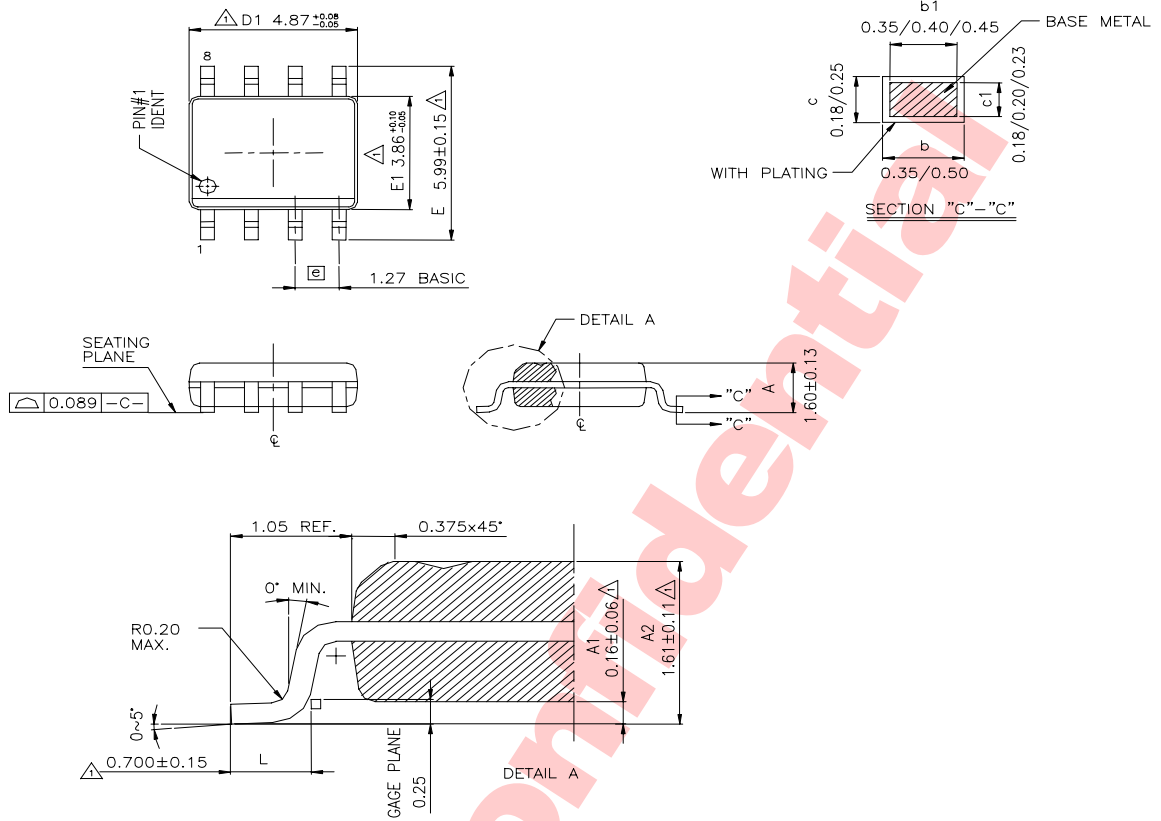


碩韻科技 **BiTEK**
 管 May 16, 2007 制
DCC CONTROLLED

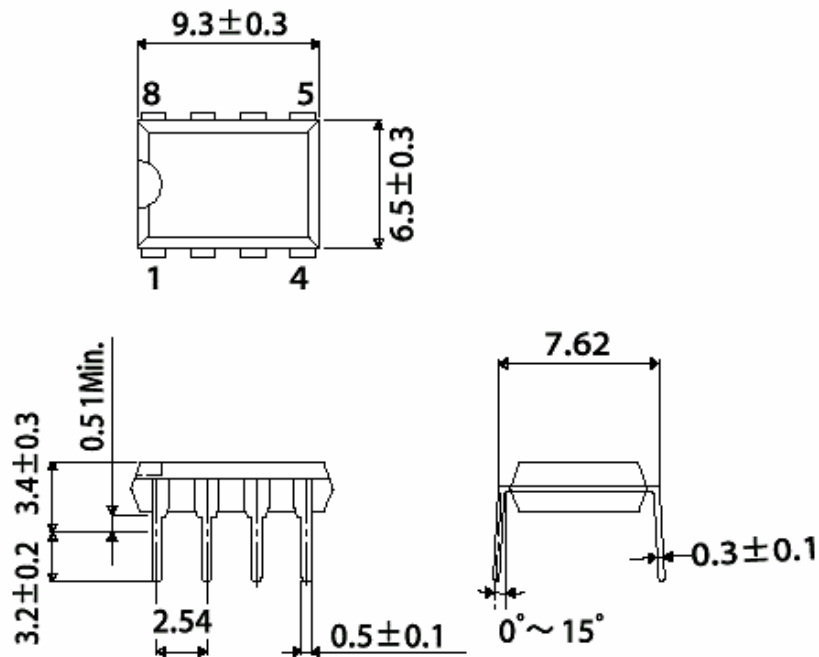
Package Information :

Unit: mm

SOP type :



DIP type :



EK
制
LED